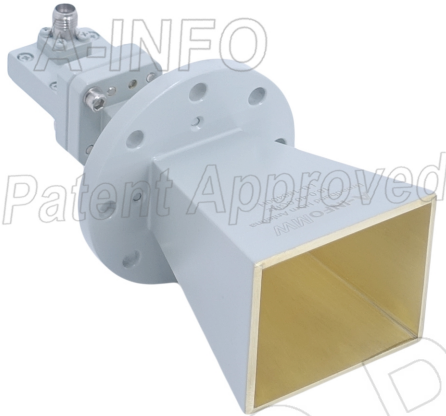


For reference only. See data sheet for the detailed specifications.

Technical Specification



Frequency Range(GHz)	18.0 – 40.0
Gain(dBi)	20 Typ.
Polarization	Linear
3dB Beamwidth(deg)	E Plane: 26 - 9
	H Plane: 29 - 10
Cross Pol. Isolation(dB)	35 Typ.
VSWR	1.5:1 Typ.
	2.0:1 Max.
Connector	2.92mm-Female or 2.4mm-Female or 2.92mm-Male
Power Handling(W CW)	2.92mm-Female: 20 Max.
	2.4mm-Female: 10 Max.
	2.92mm-Male: 20 Max.
Material	Cu
Finish	Gold Plated and Passivation, Gray Paint
Size(mm)	55 x 55 x 113
Net Weight(Kg)	0.25 Around

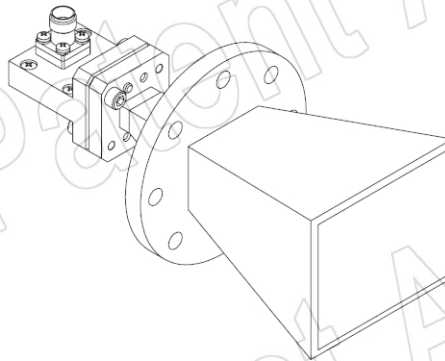
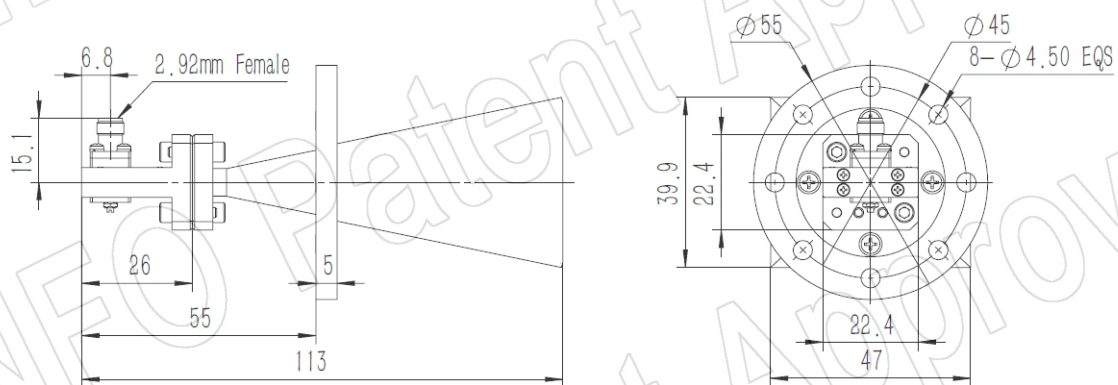
PATENT ID (China)

ZL201930458725.9

Outline Drawing (Size: mm)

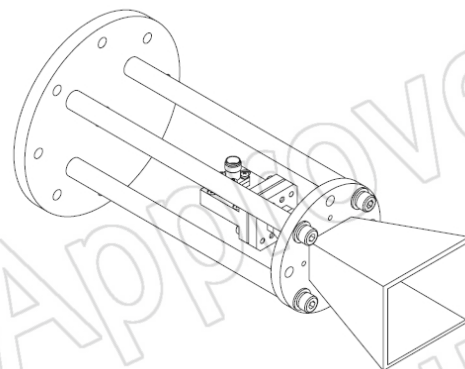
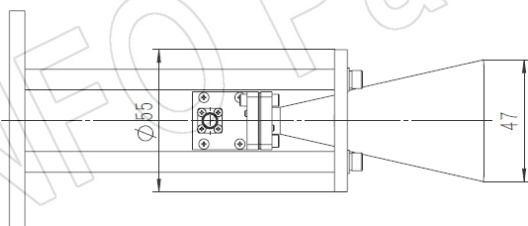
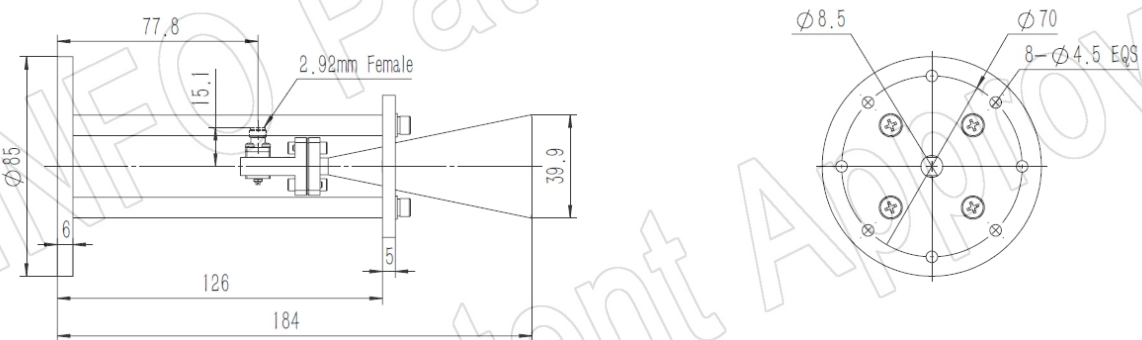
2.92mm-Female Output (P/N: LB-180400H-KF)

For 2.4mm-Female or 2.92mm-Male output outline drawing, please contact A-INFO.



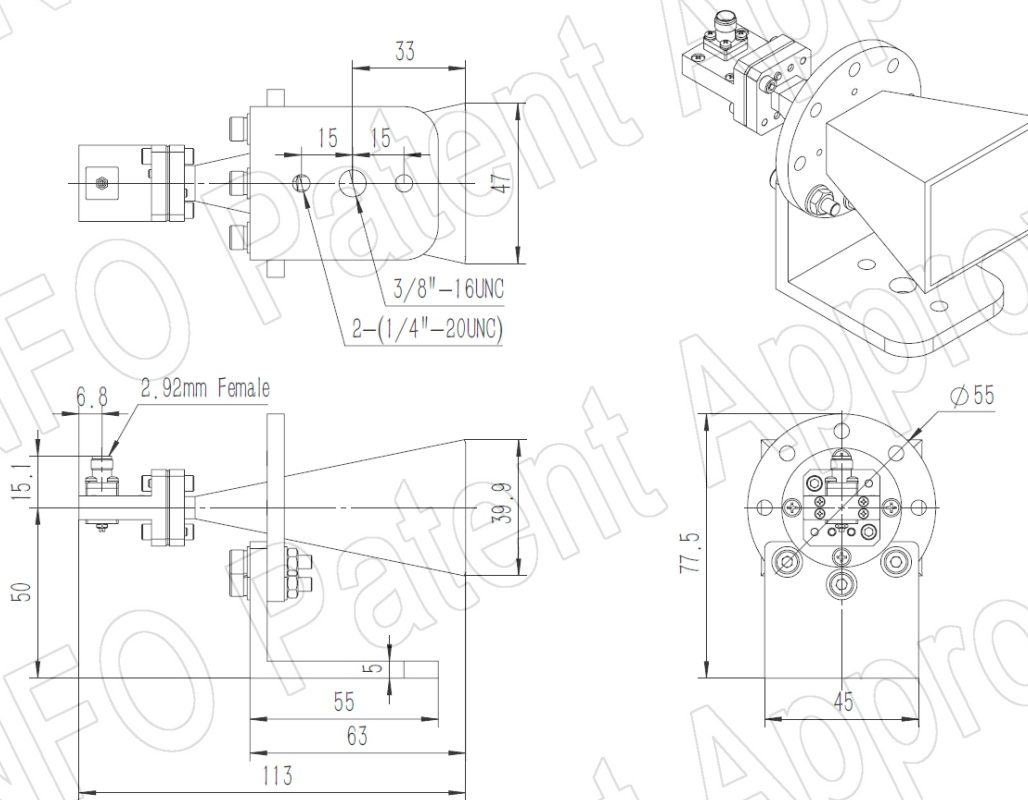
2.92mm-Female Output with Round Mounting Bracket (Option, P/N: LB-19-25-MB2)

For 2.4mm-Female or 2.92mm-Male output outline drawing, please contact A-INFO.



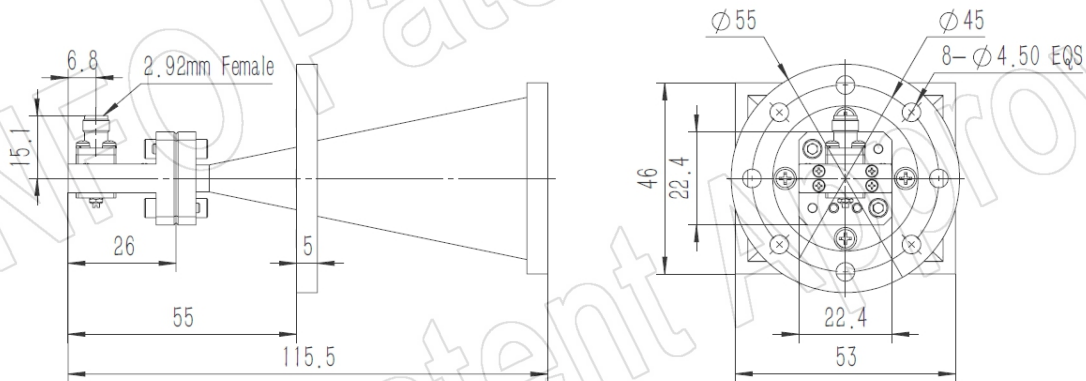
2.92mm-Female Output with L Type Mounting Bracket (Option, P/N:LB-19-25-L2)

For 2.4mm-Female or 2.92mm-Male output outline drawing, please contact A-INFO.



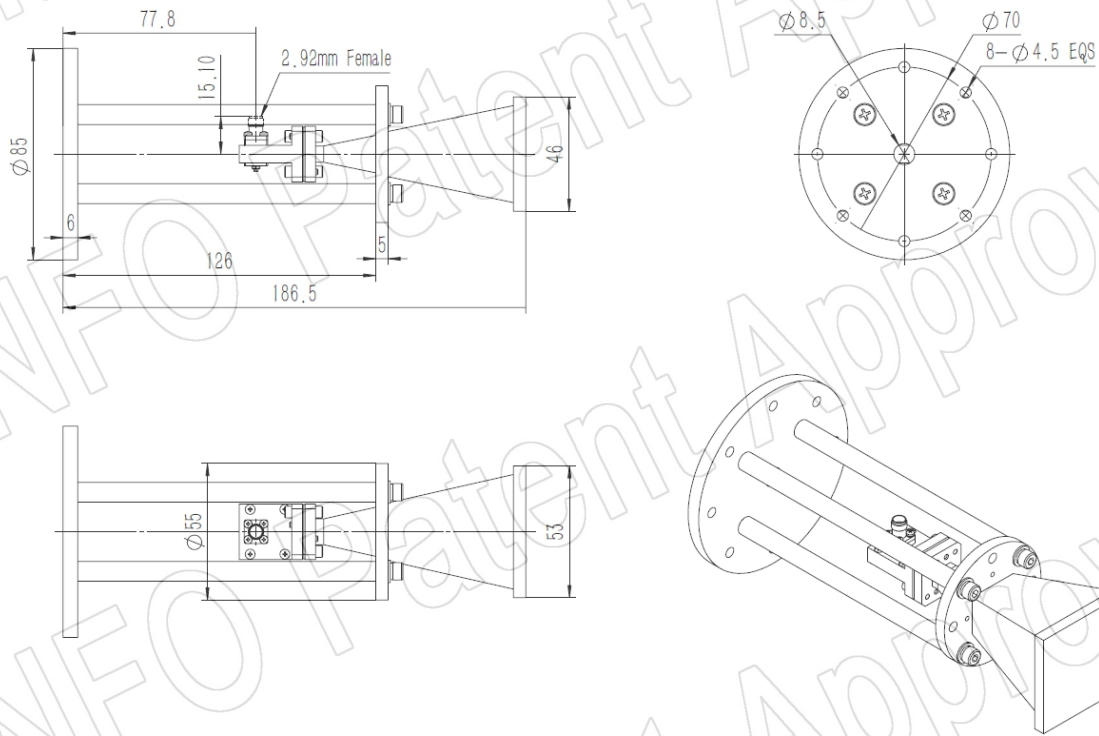
2.92mm-Female Output with Radome (Option, P/N: LB-180400H-KFSPO, Outdoor Application)

For 2.4mm-Female or 2.92mm-Male output outline drawing, please contact A-INFO.



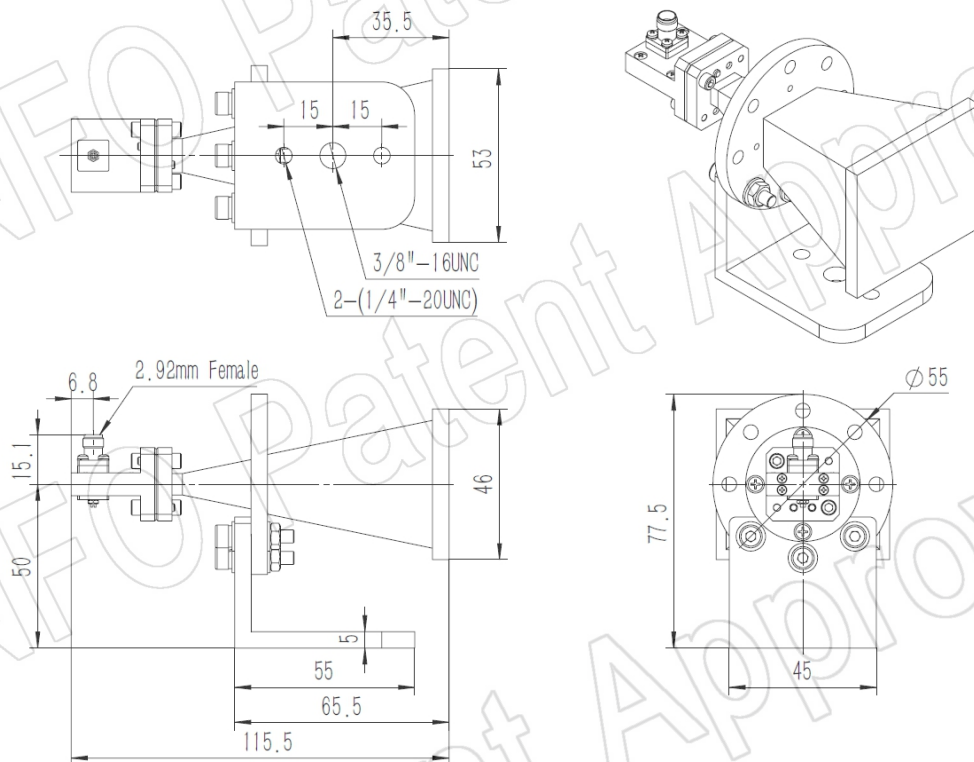
2.92mm-Female Output with Round Mounting Bracket & Radome (Option, P/N: LB-19-25-MB2 & LB-180400H-KFSPO, Outdoor Application)

For 2.4mm-Female or 2.92mm-Male output outline drawing, please contact A-INFO.



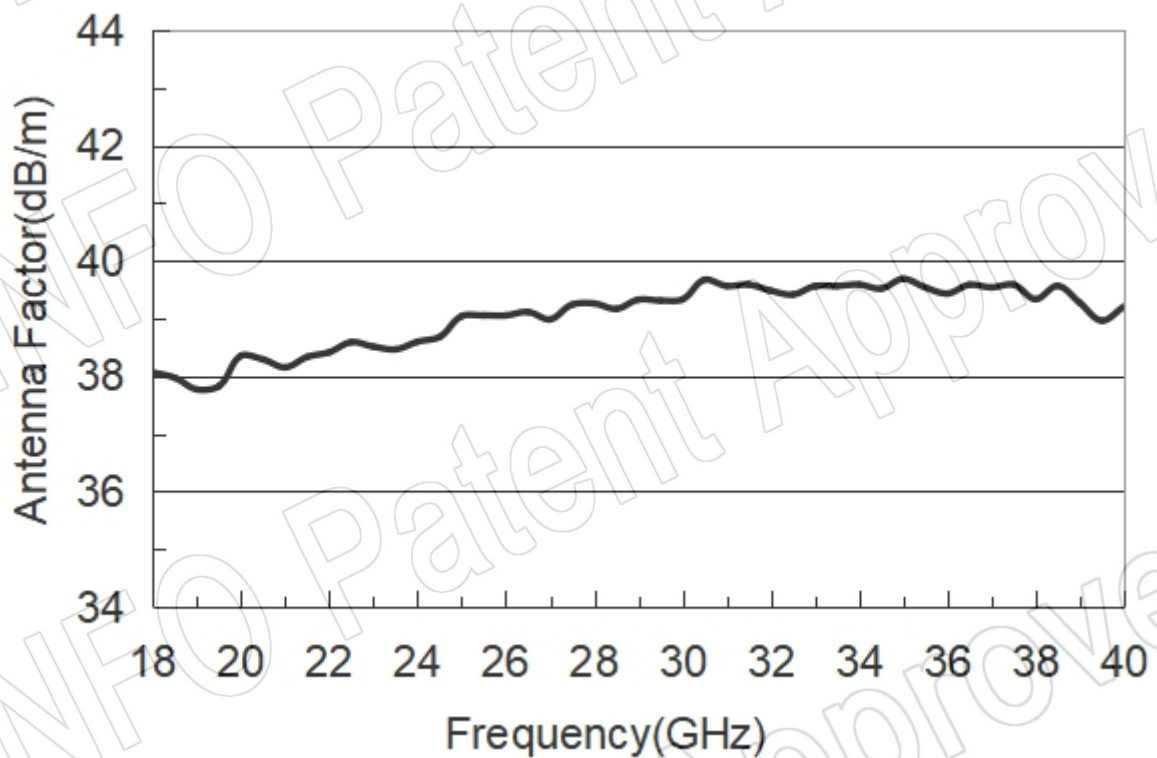
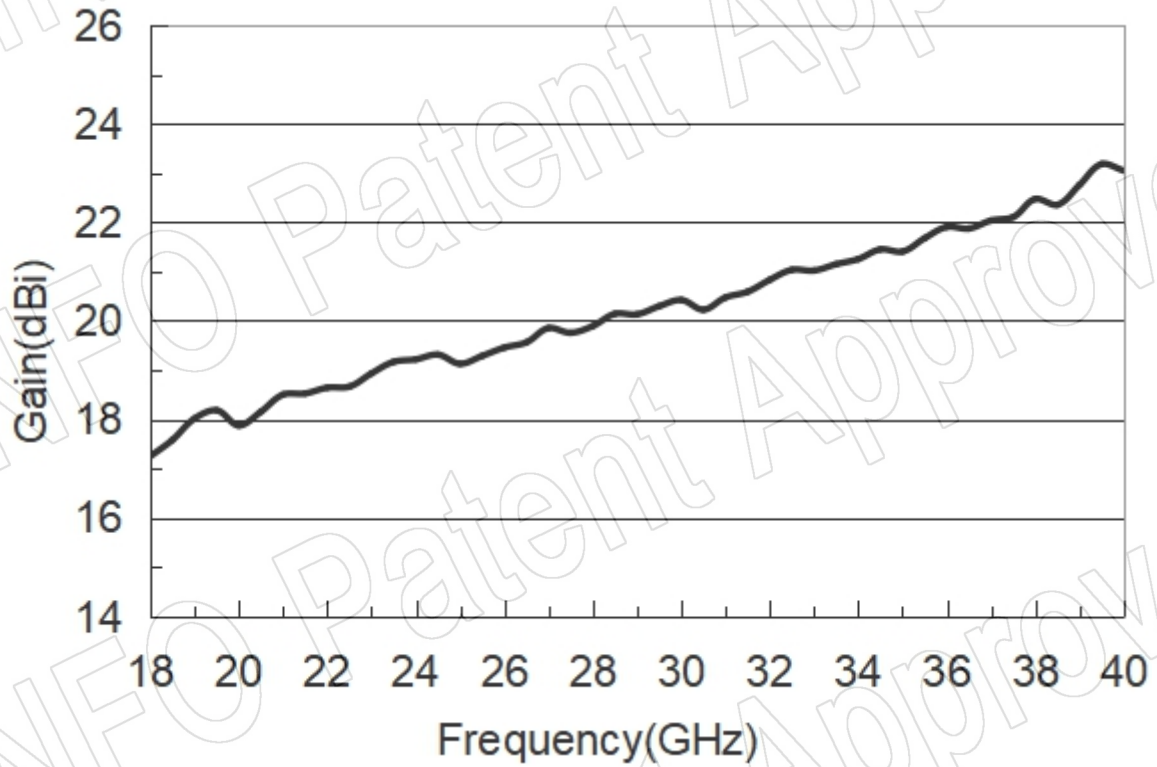
2.92mm-Female Output with L Type Mounting Bracket & Radome (Option, P/N: LB-19-25-L2 & LB-180400H-KFSPO, Outdoor Application)

For 2.4mm-Female or 2.92mm-Male output outline drawing, please contact A-INFO.

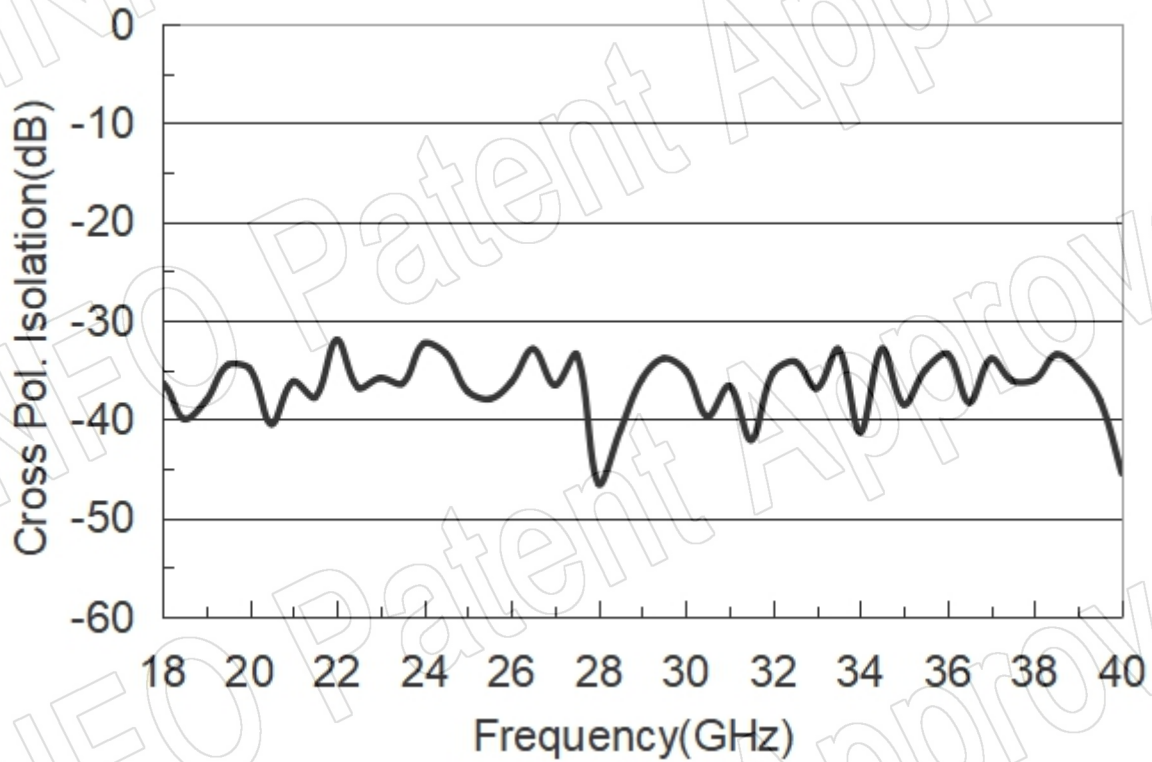


Test Results

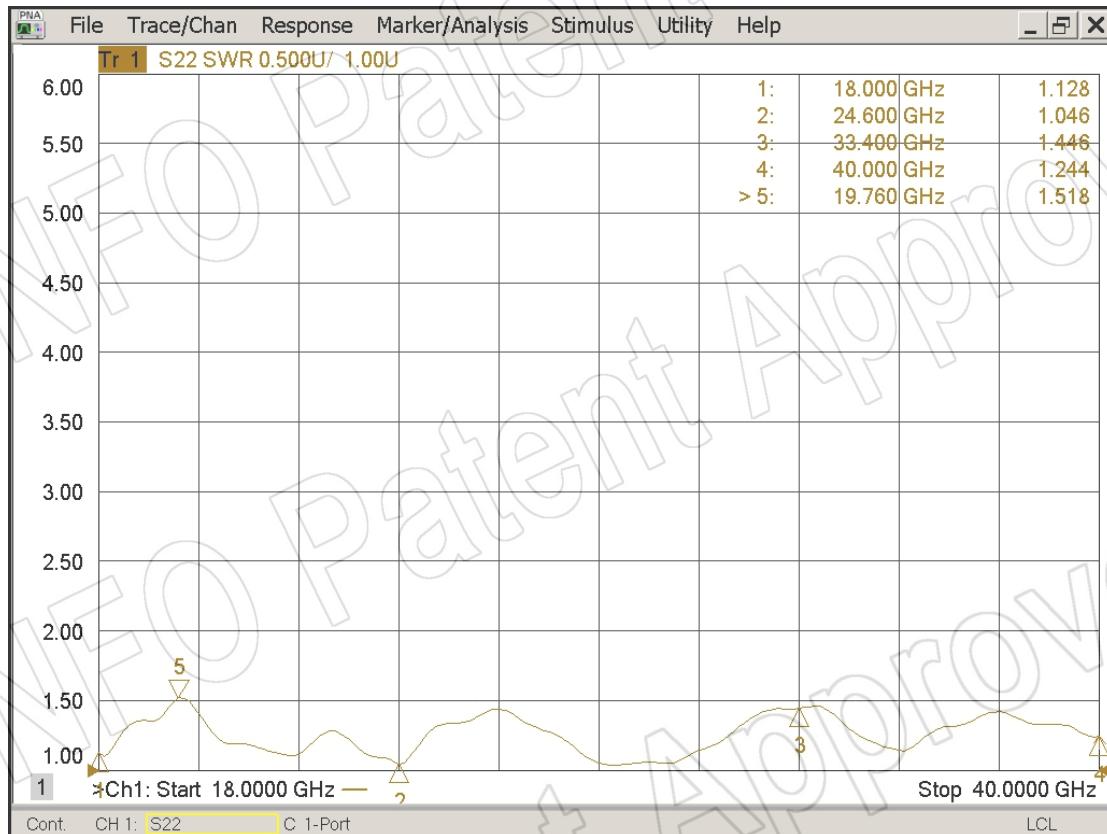
1. Gain & Antenna Factor



2. Cross Polarization Isolation



3. VSWR



4. Pattern

